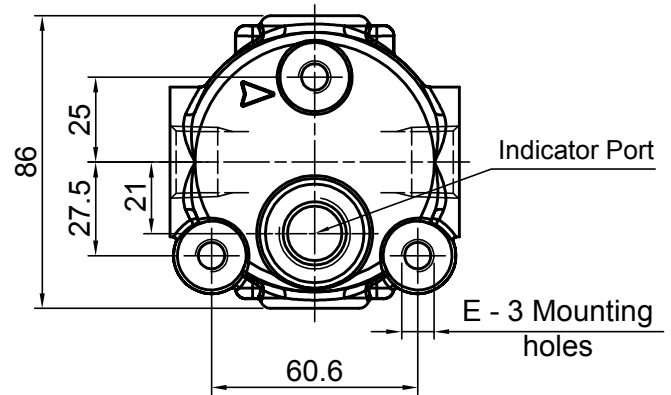
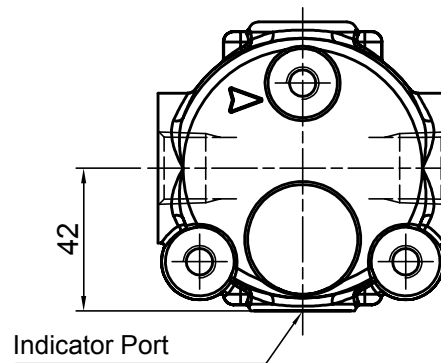


With standard indicator port



Option P03 with 90° indicator port



Lengths	
Type	H
2	188
3	230
4	278

Connections		
Type	A	E
A	M 18x1.5 - UNI-ISO 6149	M10
B	M 22x1.5 - UNI-ISO 6149	M10
C	G 1/2"	M10
D	G 3/4"	M10
E	1/2" NPT	3/8" UNC
F	3/4" NPT	3/8" UNC
G	SAE 8 - (3/4-16UNF 2B)	3/8" UNC
H	SAE 12 - (1-1/16-12UNF 2B)	3/8" UNC

**Filter body (Materials):**

Head	Steel
Bowl	Steel
Seals	NBR (Buna N) - FPM (Viton) - EPDM
Bypass valve	Steel
Reverse Flow	Steel
Check Valve	Steel

Working pressure: 420 bar

Working temperature: From -25°C to +110°C

Bypass Valve setting: 6 bar ±10%

Compatibility with fluids: In according to ISO 2943

**Filter assembly  
FHA 050**

Example: FHA050

1	2	3	4	5	6	7a	8
<input type="checkbox"/>	<input type="checkbox"/>	<input type="checkbox"/>	<input type="checkbox"/>	<input type="checkbox"/>	<input type="checkbox"/>	<input type="checkbox"/>	<input type="checkbox"/>
3	B	A	D	A06	N	P01	/ N7

**Filter element  
HP 050**

Example: HP050

1	5	3	6	7b
<input type="checkbox"/>	<input type="checkbox"/>	<input type="checkbox"/>	<input type="checkbox"/>	<input type="checkbox"/>
3	A06	A	N	P01

**1 - Housing / Element Length**

<input type="checkbox"/> 2	H = 188 mm Filter length
<input type="checkbox"/> 3	H = 230 mm Filter length
<input type="checkbox"/> 4	H = 278 mm Filter length

**2 - Bypass valve**

<input type="checkbox"/> S	Without Bypass
<input type="checkbox"/> B	With Bypass
<input type="checkbox"/> T	With Check Valve
<input type="checkbox"/> D	With Bypass & Check Valve
<input type="checkbox"/> V	With Reverse Flow
<input type="checkbox"/> Z	With Reverse Flow & Bypass

**3 - Seals**

<input type="checkbox"/> A	NBR (Buna N)
<input type="checkbox"/> V	FPM (Viton)
<input type="checkbox"/> E	EPDM

**4 - Connections**

<input type="checkbox"/> A	M 18x1.5 - UNI-ISO 6149
<input type="checkbox"/> B	M 22x1.5 - UNI-ISO 6149
<input type="checkbox"/> C	G 1/2"
<input type="checkbox"/> D	G 3/4"
<input type="checkbox"/> E	1/2" NPT
<input type="checkbox"/> F	3/4" NPT
<input type="checkbox"/> G	SAE 8 - (3/4-16UNF 2B)
<input type="checkbox"/> H	SAE 12 - (1-1/16-12UNF 2B)

**5 - Filter elements**

<input type="checkbox"/> A03	Inorganic microfibre 3µm	} $\beta_{x\oplus} \geq 1000$
<input type="checkbox"/> A06	Inorganic microfibre 6µm	
<input type="checkbox"/> A10	Inorganic microfibre 10µm	
<input type="checkbox"/> A16	Inorganic microfibre 16µm	
<input type="checkbox"/> A25	Inorganic microfibre 25µm	
<input type="checkbox"/> M25	Square wire mesh	

**6 - Collapse pressure Filter elements**

<input type="checkbox"/> N	20 bar	<input type="checkbox"/> R	20 bar ( Filter with Reverse Flow )
<input type="checkbox"/> H	210 bar	<input type="checkbox"/> S	210 bar ( Filter with Reverse Flow )

**7 - Options**
**a) Filter Assembly**

<input type="checkbox"/> P01	MP Filtri with standard indicator port
<input type="checkbox"/> P02	MP Filtri without indicator port
<input type="checkbox"/> P03	MP Filtri with 90° indicator port
<input type="checkbox"/> Pxx	Customer request

**b) Filter Element**

<input type="checkbox"/> P01	MP Filtri standard element
<input type="checkbox"/> Pxx	Customer request

**8 - Indicators**

<input type="checkbox"/> T2	Plug	<input type="checkbox"/> E7	Visual-Electrical 5 bar
<input type="checkbox"/> Z7	Visual (Pop-up) 5 bar	<input type="checkbox"/> E8	Visual-Electrical 7 bar
<input type="checkbox"/> Z8	Visual (Pop-up) 7 bar	<input type="checkbox"/> K7*	Visual-Electrical 5 bar
<input type="checkbox"/> V7	Visual 5 bar	<input type="checkbox"/> K8*	Visual-Electrical 7 bar
<input type="checkbox"/> V8	Visual 7 bar	* { 1 - Tension 24 Volt 2 - Tension 110 Volt 3 - Tension 220 Volt	
<input type="checkbox"/> N7	Electrical 5 bar		
<input type="checkbox"/> N8	Electrical 7 bar		

**MP FILTRI S.p.A.** - Via Matteotti, 2  
20060 Pessano con Bornago  
Milano - Italy



Tel. +39.02/957031  
Fax: +39.02/95741497-95740188  
<http://www.mpfiltri.com>  
email: [sales@mpfiltri.com](mailto:sales@mpfiltri.com)

**MP FILTRI U.K. Ltd.** - Tel. +44.01451-822522 - Fax: +44.01451-822282 - email: [sales@mpfiltri.co.uk](mailto:sales@mpfiltri.co.uk) - <http://www.mpfiltri.co.uk>  
**MP FILTRI D GmbH** - Tel. +49.06806/850220 - Fax: +49.06806/85022-18 - email: [mpfiltrink@aol.com](mailto:mpfiltrink@aol.com)  
**MP FILTRI FRANCE** - Tel. +33.04.74.08.84.78 - Fax: +33.04.74.08.80.45 - email: [mpfiltrifrance@wanadoo.fr](mailto:mpfiltrifrance@wanadoo.fr)  
**MP FILTRI USA. Inc.** - Tel. +01.215-529-1300 - Fax: +01.215-529-1902 - email: [mpusasales@aol.com](mailto:mpusasales@aol.com) - <http://www.mpfiltriusa.com>  
**MP FILTRI CND Inc.** - Tel. +01.905-303-1369 - Fax: +01.905-303-7256 - email: [mail@mpfiltricanada.com](mailto:mail@mpfiltricanada.com) - <http://www.mpfiltricanada.com>