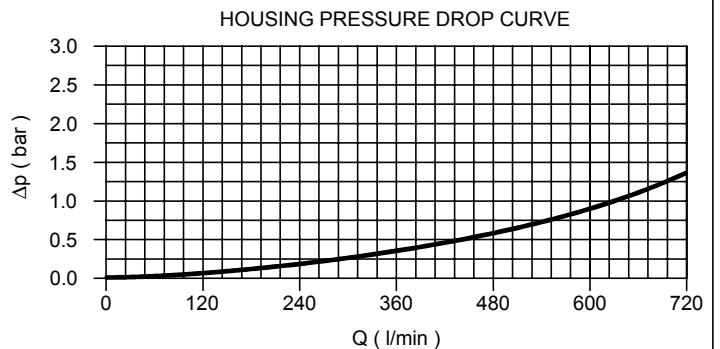
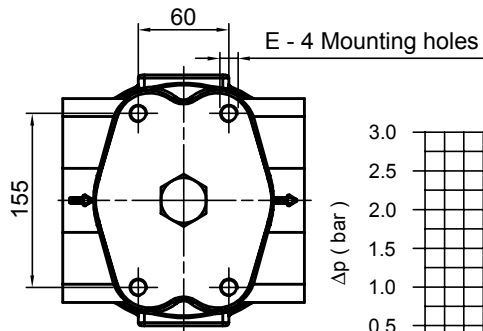


Lengths	
Type	H
1	335
2	424
3	500
4	657
5	823



Thread connections		
Type	A	E
G1	G 1-1/2"	M12
G2	1-1/2" NPT	1/2" UNC
G3	SAE 24 - 1-7/8"-12UN-2B	1/2" UNC

Flange connections					
Type	A	B	C	D	E
F1	1-1/2"SAE-3000 PSI /M	69.85	35.71	M12	M12
F2	1-1/2"SAE-3000 PSI/UNC	69.85	35.71	1/2" UNC	1/2" UNC
F3	2" SAE - 3000 PSI /M	77.77	42.88	M12	M12
F4	2" SAE - 3000 PSI/UNC	77.77	42.88	1/2" UNC	1/2" UNC
F5	1-1/2"SAE-6000 PSI /M	79.98	36.50	M16	M12
F6	1-1/2"SAE-6000 PSI/UNC	79.98	36.50	5/8" UNC	1/2" UNC
F7	2" SAE - 6000 PSI /M	96.82	44.45	M20	M12
F8	2" SAE - 6000 PSI/UNC	96.82	44.45	3/4" UNC	1/2" UNC

Filter body (Materials):

Head Cast iron
 Bowl Steel
 Seals NBR (Buna N) - FPM (Viton) - EPDM
 Bypass valve Steel
 Reverse Flow Steel
 Check Valve Steel

Working pressure: 420 bar

Working temperature: From -25°C to +110°C

Bypass Valve setting: 6 bar ±10%

Compatibility
 with fluids: In according to ISO 2943

Filter assembly
FHP 500

	1	2	3	4	5	6	7	8
	<input type="checkbox"/>	<input type="checkbox"/>	<input type="checkbox"/>	<input type="checkbox"/>	<input type="checkbox"/>	<input type="checkbox"/>	<input type="checkbox"/>	<input type="checkbox"/>
Example: FHP500	3	B	A	G3	A06	N	P01	/ N7

Filter element
HP 500

	1	5	3	6	7
	<input type="checkbox"/>	<input type="checkbox"/>	<input type="checkbox"/>	<input type="checkbox"/>	<input type="checkbox"/>
Example: HP500	3	A06	A	N	P01

1 - Housing / Element Length

<input type="checkbox"/> 1	H = 334 mm	<input type="checkbox"/> 4	H = 657 mm
<input type="checkbox"/> 2	H = 424 mm	<input type="checkbox"/> 5	H = 823 mm
<input type="checkbox"/> 3	H = 500 mm		

2 - Valve

<input type="checkbox"/> S	Without Bypass
<input type="checkbox"/> B	With Bypass
<input type="checkbox"/> V	With Reverse Flow
<input type="checkbox"/> D	With Bypass & Check Valve
<input type="checkbox"/> T	With Check Valve

3 - Seals

<input type="checkbox"/> A	NBR (Buna N)
<input type="checkbox"/> V	FPM (Viton)
<input type="checkbox"/> E	EPDM

4 - Connections

<input type="checkbox"/> G1	G 1-1/2"	<input type="checkbox"/> F1	1-1/2" SAE - 3000 PSI/M
<input type="checkbox"/> G2	1-1/2" NPT	<input type="checkbox"/> F2	1-1/2" SAE - 3000 PSI/UNC
<input type="checkbox"/> G3	SAE 24	<input type="checkbox"/> F3	2" SAE - 3000 PSI/M
		<input type="checkbox"/> F4	2" SAE - 300 PSI/UNC
		<input type="checkbox"/> F5	1-1/2" SAE - 6000 PSI/M
		<input type="checkbox"/> F6	1-1/2" SAE - 6000 PSI/UNC
		<input type="checkbox"/> F7	2" SAE - 6000 PSI/M
		<input type="checkbox"/> F8	2" SAE - 6000 PSI/UNC

5 - Filter elements

<input type="checkbox"/> A03	Inorganic microfibre 3µm	} βx _{0.5} ≥ 1000
<input type="checkbox"/> A06	Inorganic microfibre 6µm	
<input type="checkbox"/> A10	Inorganic microfibre 10µm	
<input type="checkbox"/> A16	Inorganic microfibre 16µm	
<input type="checkbox"/> A25	Inorganic microfibre 25µm	
<input type="checkbox"/> M25	Square wire mesh	

6 - Collapse pressure Filter elements

<input type="checkbox"/> N	20 bar	<input type="checkbox"/> R	20 bar (Filter with Reverse Flow)
<input type="checkbox"/> H	210 bar	<input type="checkbox"/> S	210 bar (Filter with Reverse Flow)

7 - Options

<input type="checkbox"/> P01	MP Filtri standard
<input type="checkbox"/> Pxx	Options request

8 - Indicators

<input type="checkbox"/> T2	Plug	<input type="checkbox"/> E7	Visual-Electrical 5 bar
<input type="checkbox"/> Z7	Visual (Pop-up) 5 bar	<input type="checkbox"/> E8	Visual-Electrical 7 bar
<input type="checkbox"/> Z8	Visual (Pop-up) 7 bar	<input type="checkbox"/> K7*	Visual-Electrical 5 bar
<input type="checkbox"/> V7	Visual 5 bar	<input type="checkbox"/> K8*	Visual-Electrical 7 bar
<input type="checkbox"/> V8	Visual 7 bar		
<input type="checkbox"/> N7	Electrical 5 bar		
<input type="checkbox"/> N8	Electrical 7 bar		

* { 1 - Tension 24 Volt
 2 - Tension 110 Volt
 3 - Tension 220 Volt

MP FILTRI S.p.A. - Via Matteotti, 2
 20060 Pessano con Bornago
 Milano - Italy



Tel. +39.02/957031
 Fax: +39.02/95741497-95740188
<http://www.mpfiltri.com>
 email: sales@mpfiltri.com

MP FILTRI U.K. Ltd. - Tel. +44.01451-822522 - Fax: +44.01451-822282 - email: sales@mpfiltri.co.uk - <http://www.mpfiltri.co.uk>
MP FILTRI D GmbH - Tel. +49.06806/850220 - Fax: +49.06806/85022-18 - email: mpfiltrink@aol.com
MP FILTRI FRANCE - Tel. +33.04.74.08.84.78 - Fax: +33.04.74.08.80.45 - email: mpfiltrifrance@wanadoo.fr
MP FILTRI USA. Inc. - Tel. +01.215-529-1300 - Fax: +01.215-529-1902 - email: mpusasales@aol.com - <http://www.mpfiltriusa.com>
MP FILTRI CND Inc. - Tel. +01.905-303-1369 - Fax: +01.905-303-7256 - email: mail@mpfiltricanada.com - <http://www.mpfiltricanada.com>